

SPECIFICATIONS

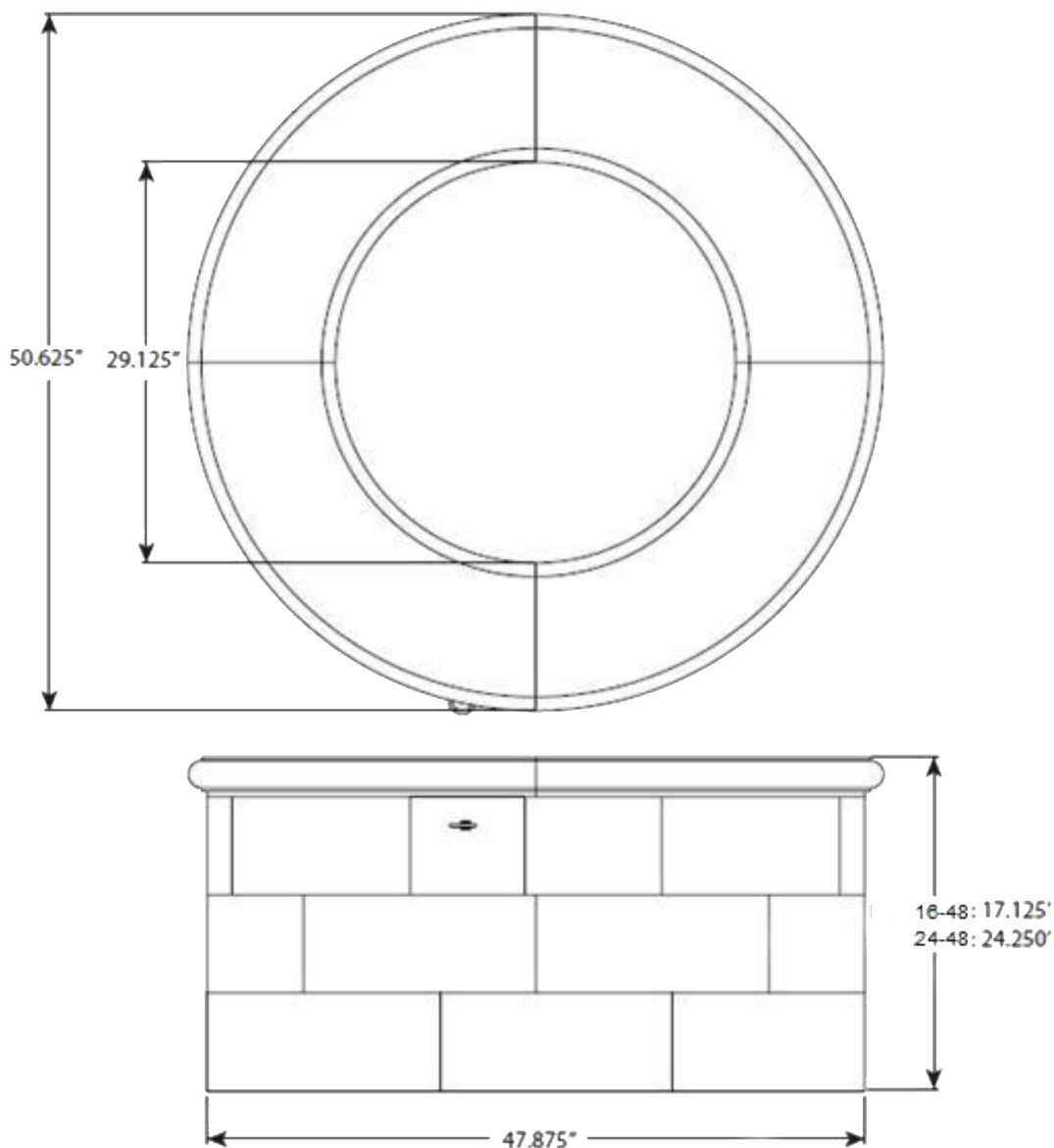


Figure 1 – BOFP16-48 AND BOFP24-48

BOFP-48NG

- Rating: 96,000 Btu/hr
- Gas Type: Natural Gas Only
- Ignition: Manual
- Manifold Pressure: 6.0" w.c.
- Minimum Inlet Supply Pressure: 7.0" w.c.
- Maximum Inlet Supply Pressure: 10.5" w.c.
- Orifice: #12

BOFP-48P

- Rating: 95,000 Btu/hr
- Gas Type: Propane/LP Gas Only
- Ignition: Manual
- Manifold Pressure: 10.5" w.c.
- Minimum Inlet Supply Pressure: 11" w.c.
- Maximum Inlet Supply Pressure: 14" w.c.
- Orifice: #33